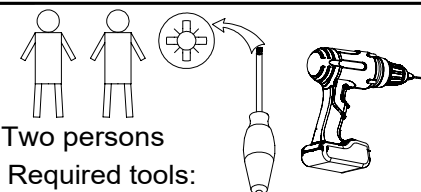


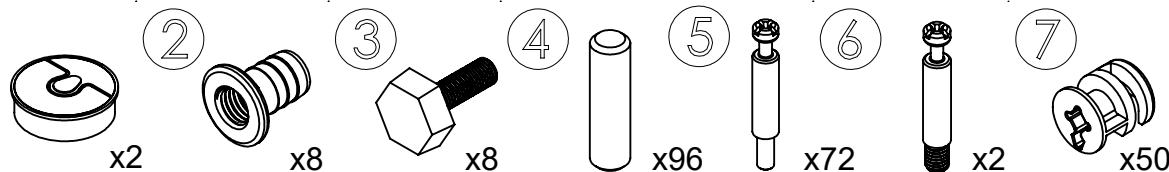
M60EC003

1 / 5



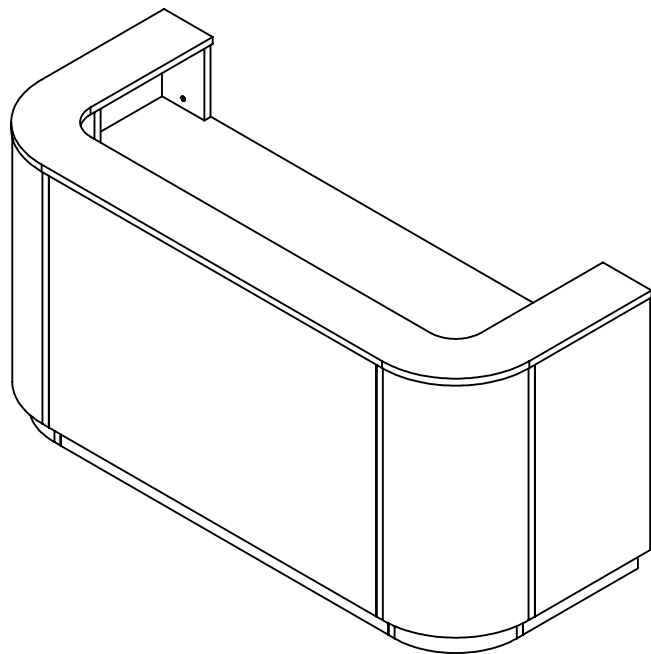
Two persons  
Required tools:

Hardware:



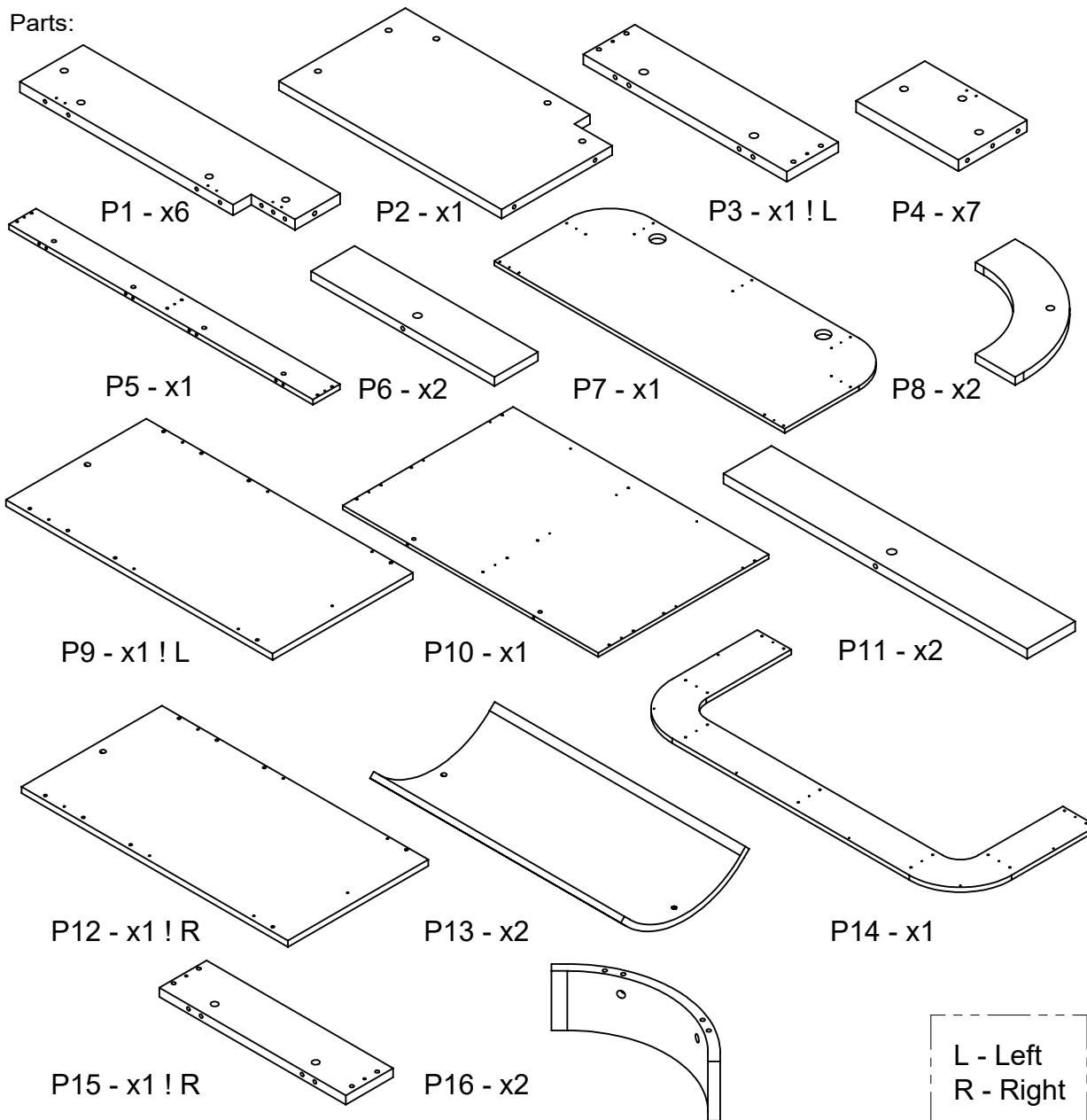
### Assembling scheme

Product:



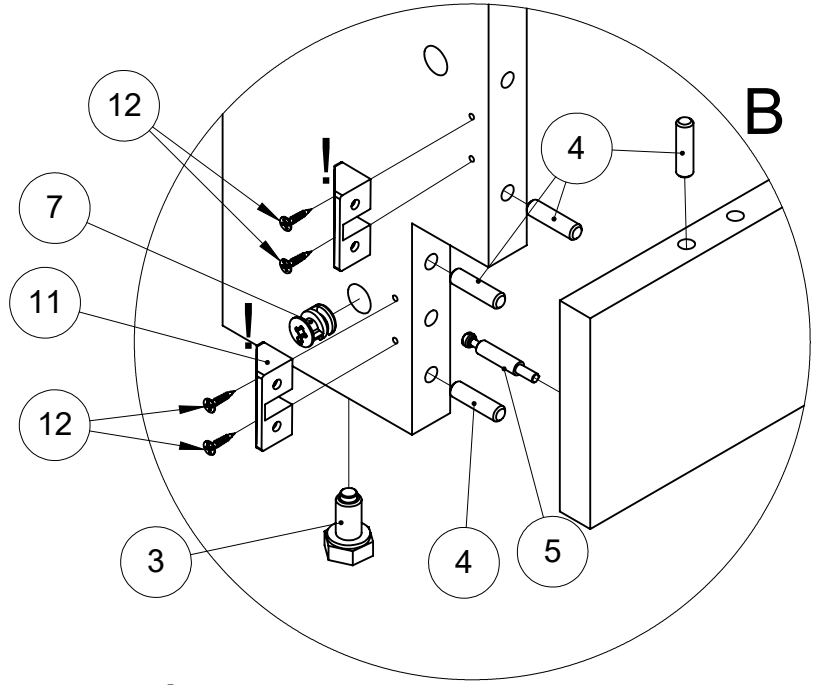
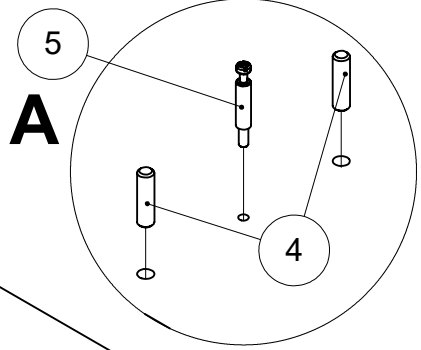
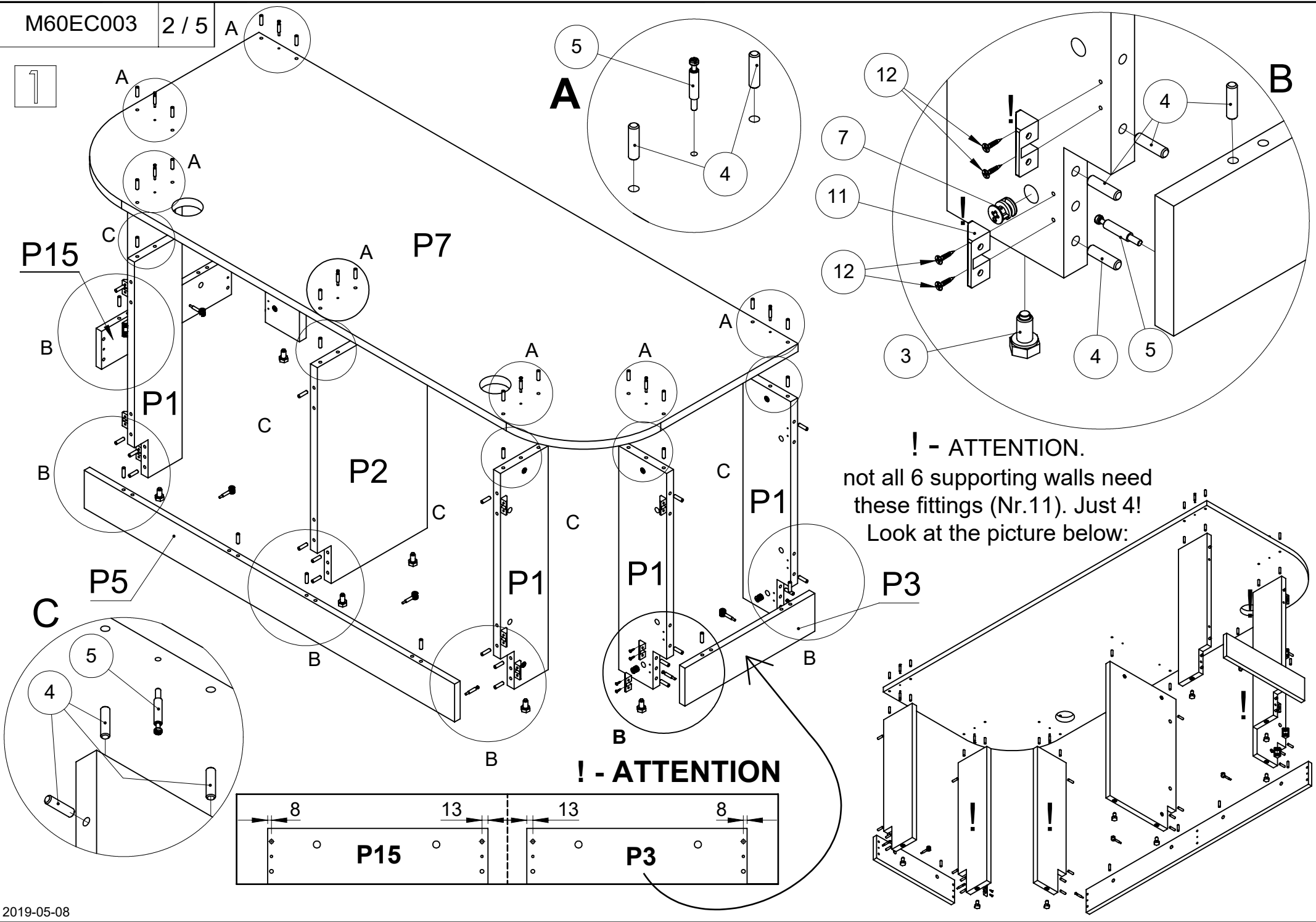
# COSY

Parts:

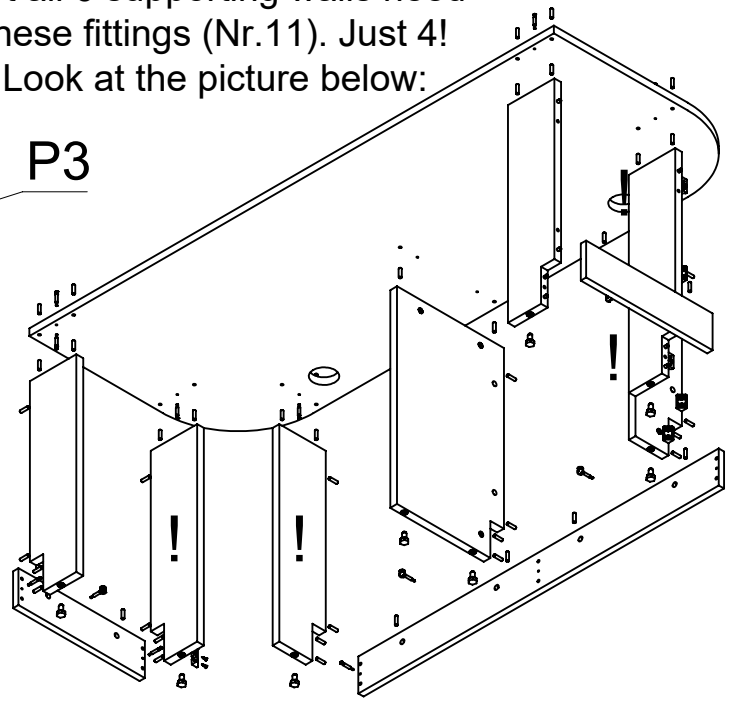


L - Left  
R - Right

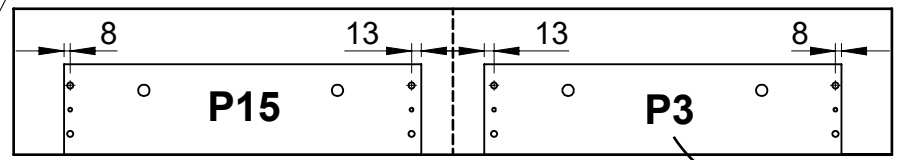
1



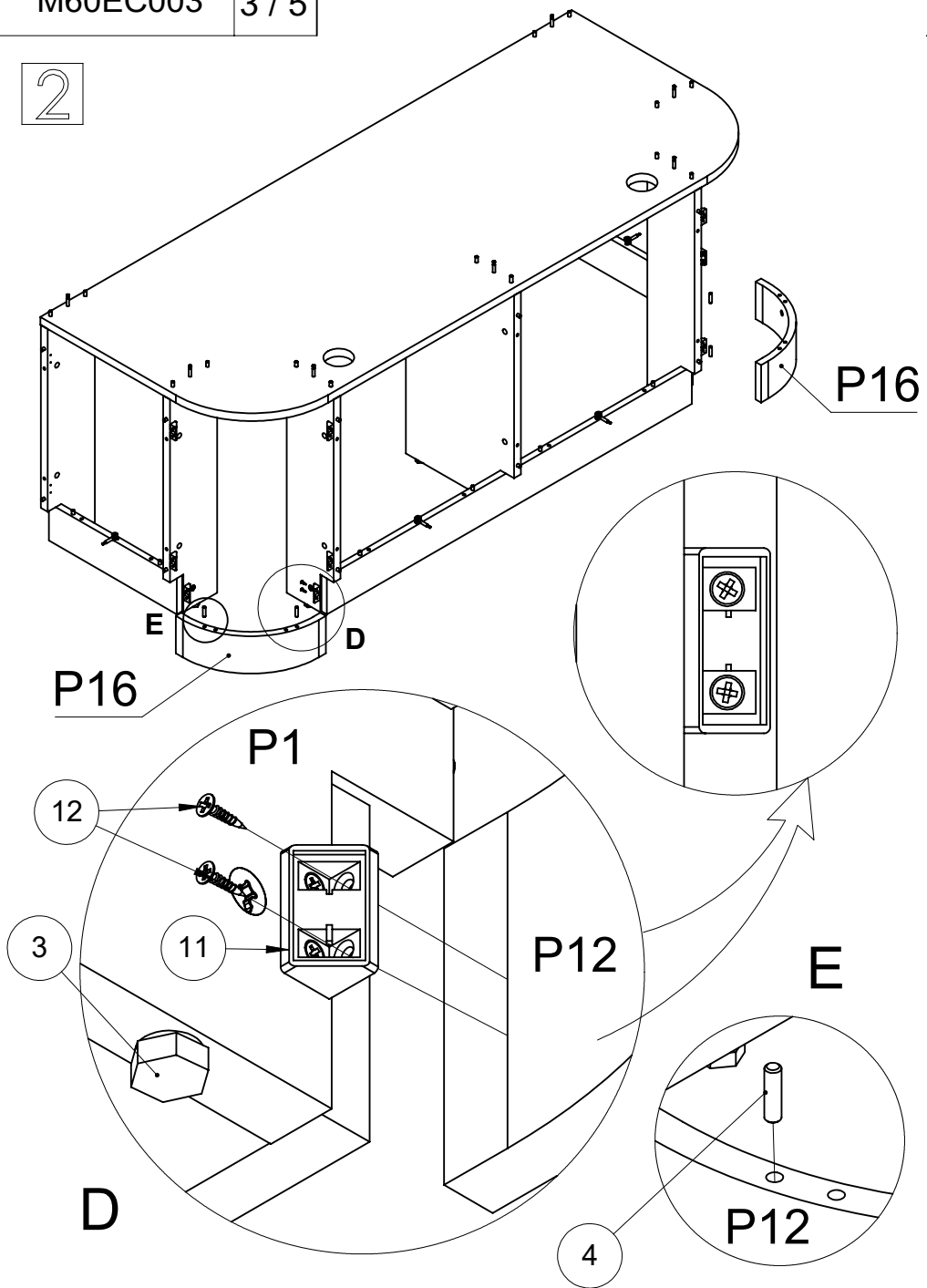
**! - ATTENTION.**  
 not all 6 supporting walls need  
 these fittings (Nr.11). Just 4!  
 Look at the picture below:



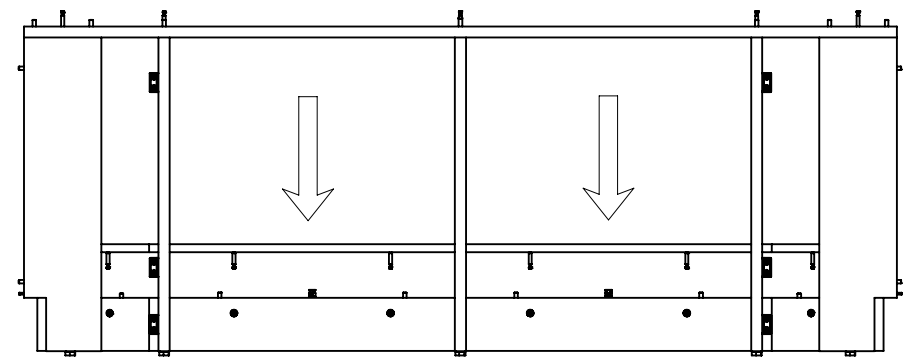
**! - ATTENTION**



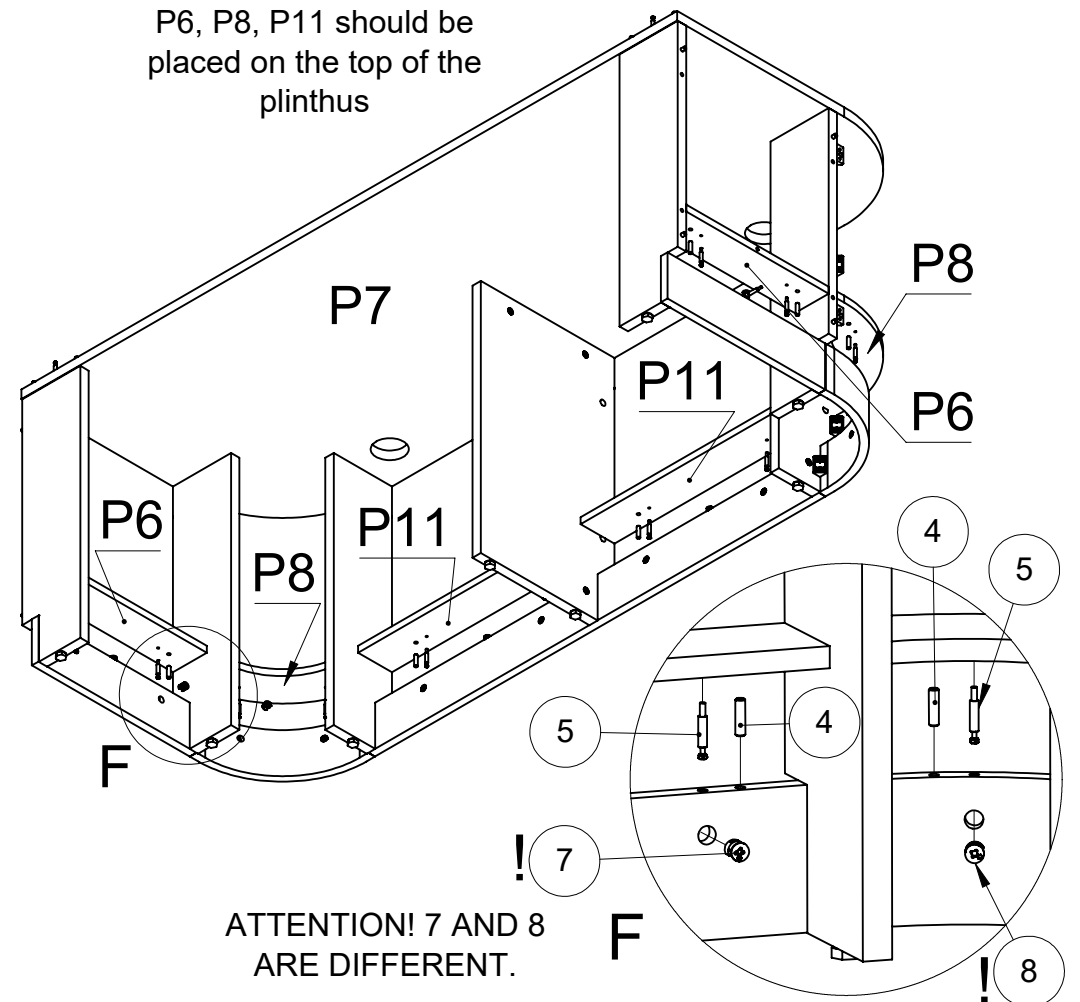
2



3

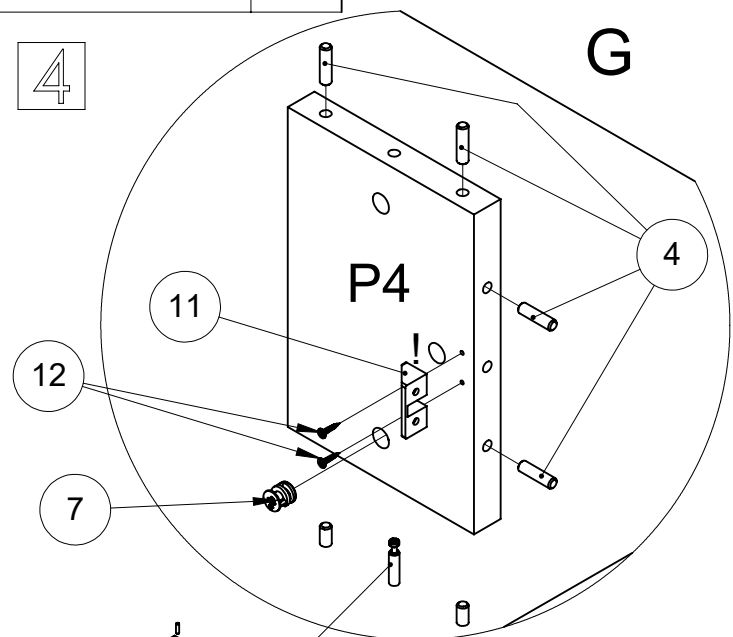


P6, P8, P11 should be placed on the top of the plinthus

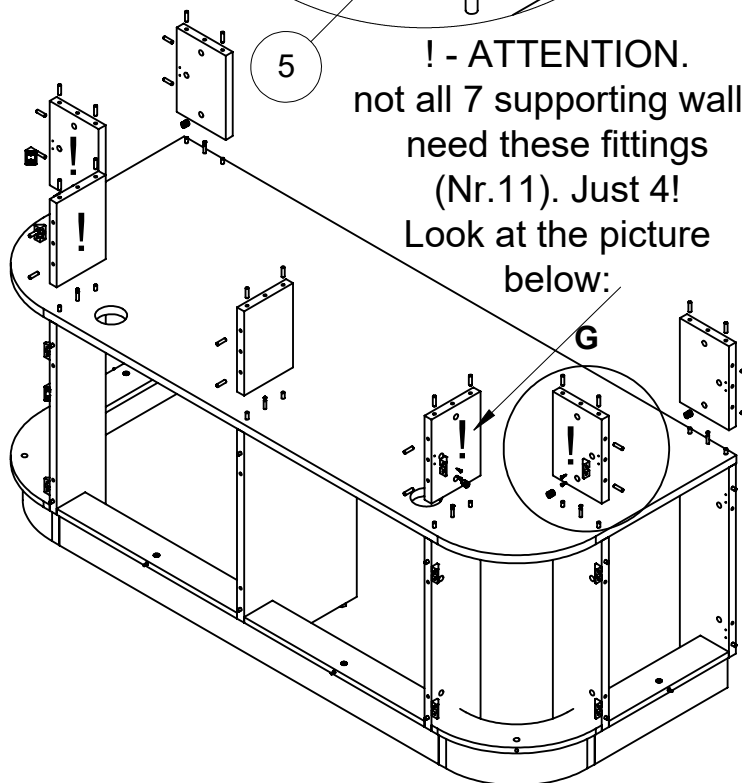


ATTENTION! 7 AND 8 ARE DIFFERENT.

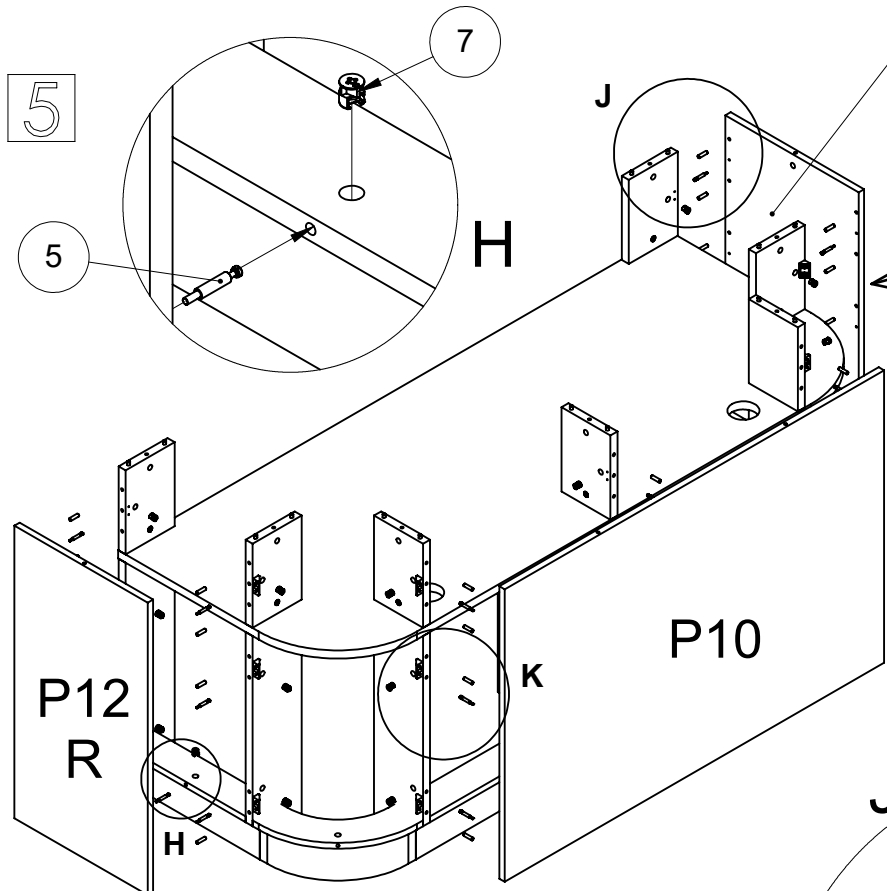
4



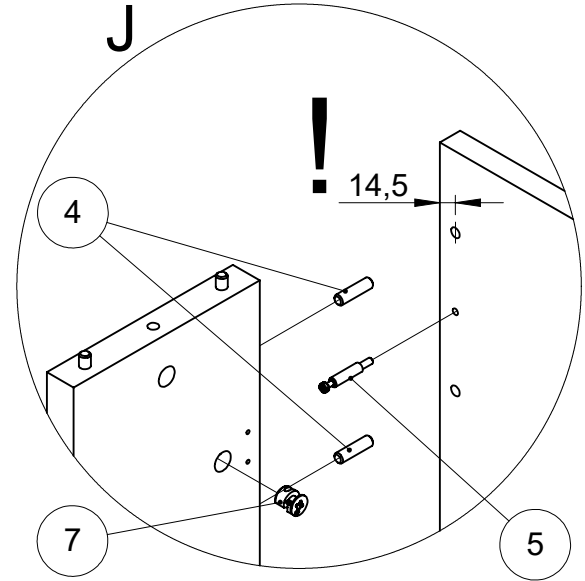
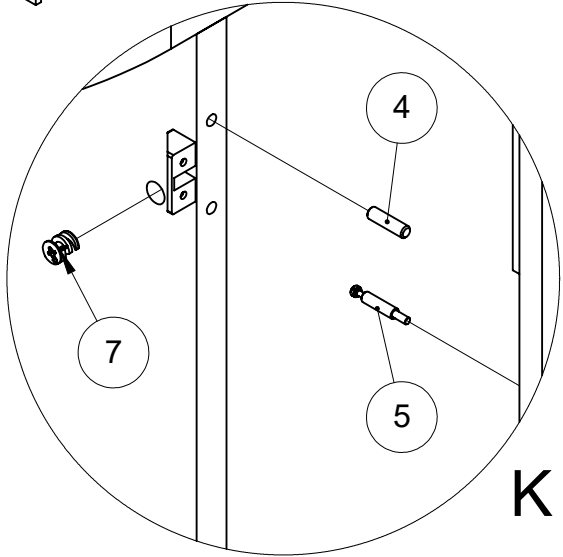
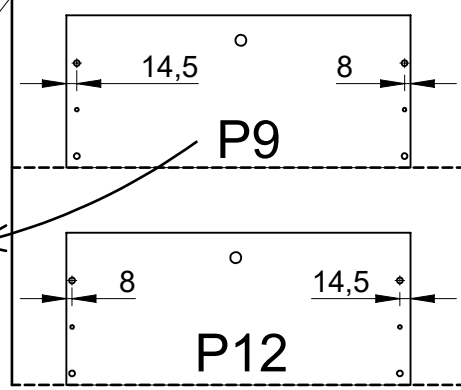
**! - ATTENTION.**  
 not all 7 supporting walls  
 need these fittings  
 (Nr.11). Just 4!  
 Look at the picture  
 below:



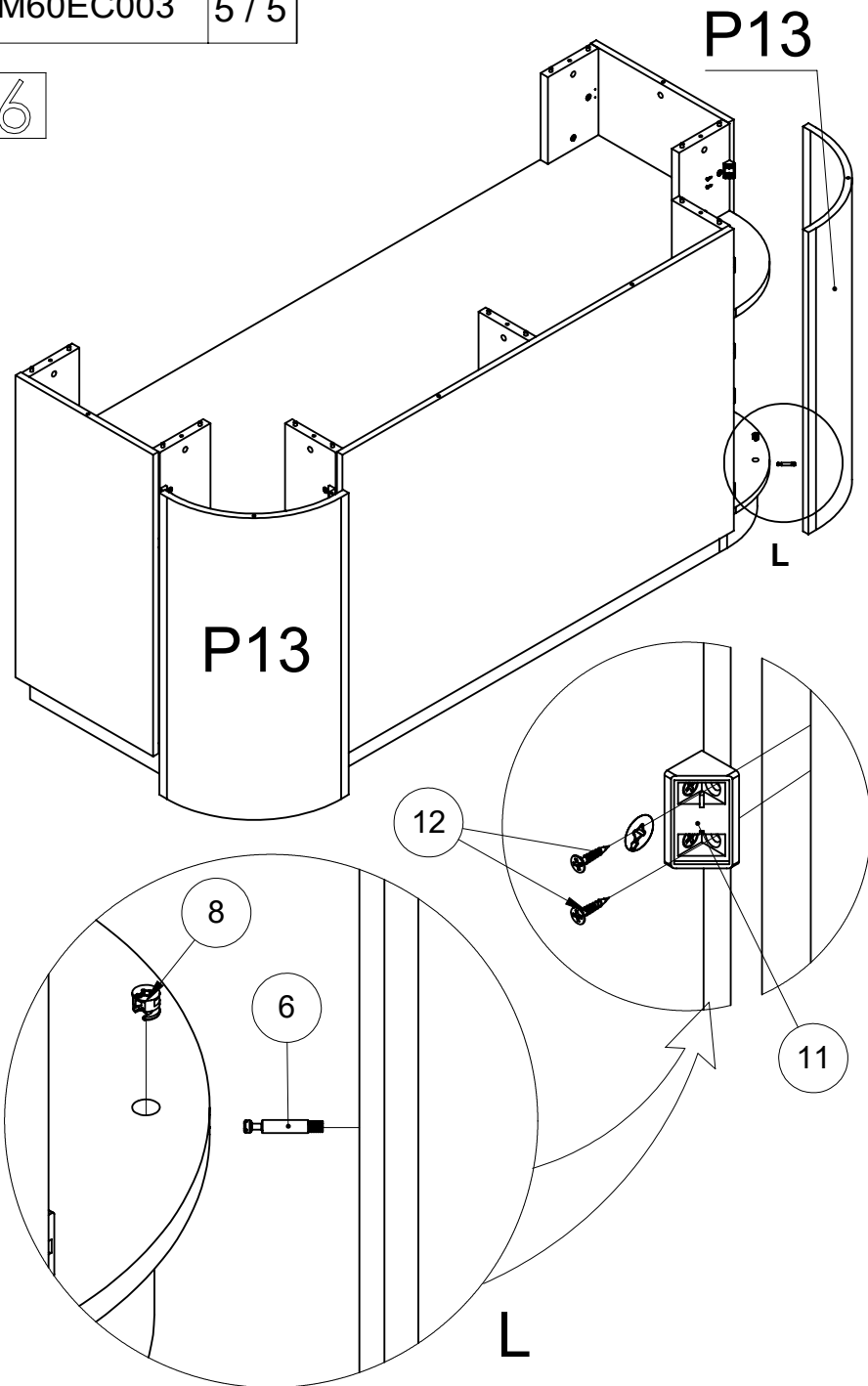
5



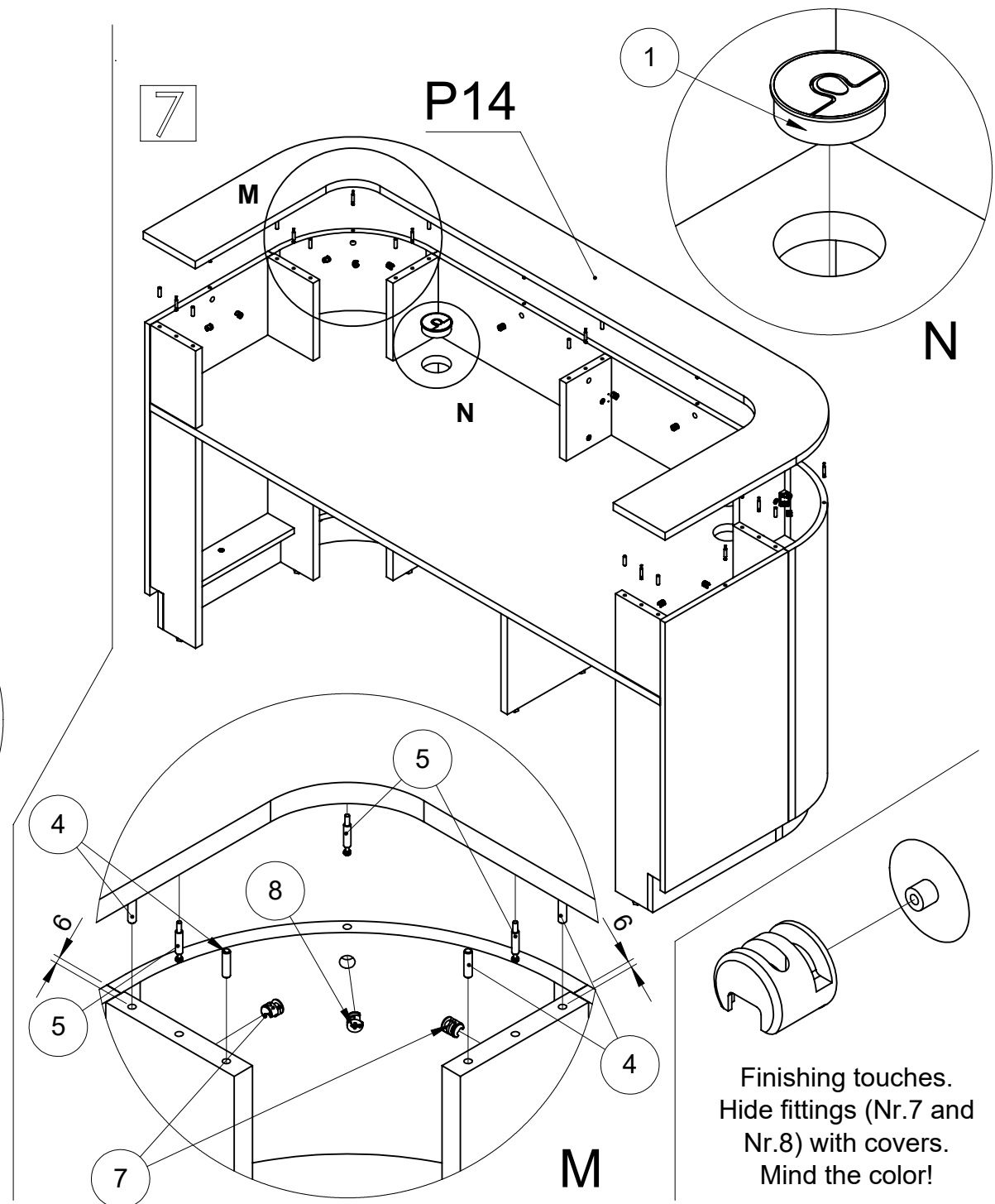
**P9 L: ! - ATTENTION**



6



7



Finishing touches.  
Hide fittings (Nr.7 and  
Nr.8) with covers.  
Mind the color!